

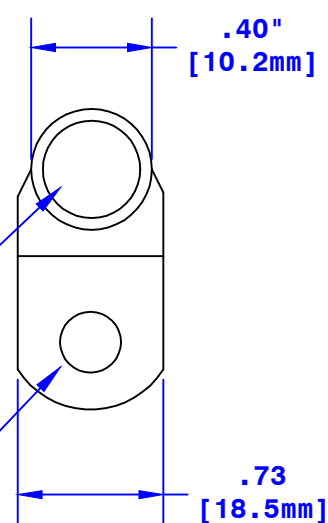
Quick Cable Reserves The Right to Alter Product Types, Their Technical Data, Dimensions, Style And Accessories Without Prior Notification.

Printed Crimp Information

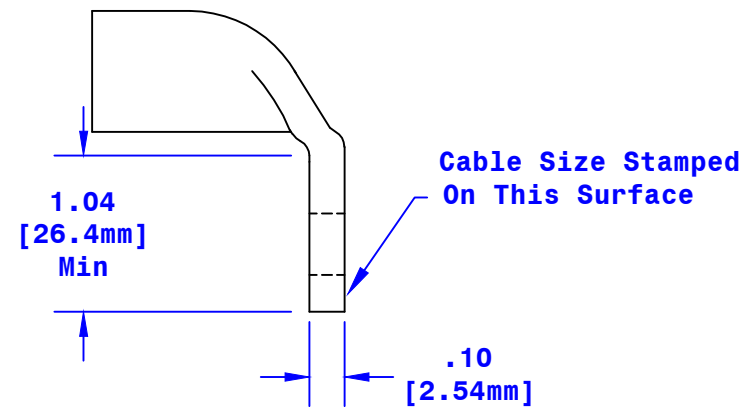


ID Sized For 4 Ga [19mm²] Stranded Cable
3/4" [19mm] Min Depth

Hole Sized For 1/2" [M12] Stud



Dia May Vary Due to Manufacturing Process



Property of QUICKCABLE 3700 Quick Drive Franksville, WI 53126 U.S.A. www.quickcable.com	TITLE
	4 Ga [19mm ²] 90° 1/2" [M12] Hole
	PART #
	6404HL

Confidential and Proprietary Information

					Drawn By	Date	Checked By	Scale
					Kirk A	09-20-07	Mike E	None
					Tolerances, unless otherwise noted			
					Dimensions are reference only			
Rev	Date	ECN#	By	Description				
B	04-10-12	2459	JMH	Redrawn; printing info updated				

Material & Treatment	Drawing #	REV
Copper Tube Tin Plated	6404HL-Info	B
	Sheet 1 of 1	