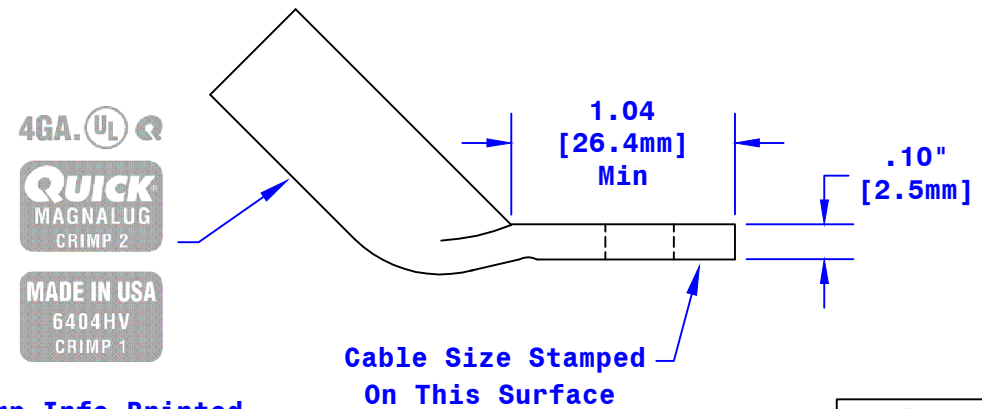
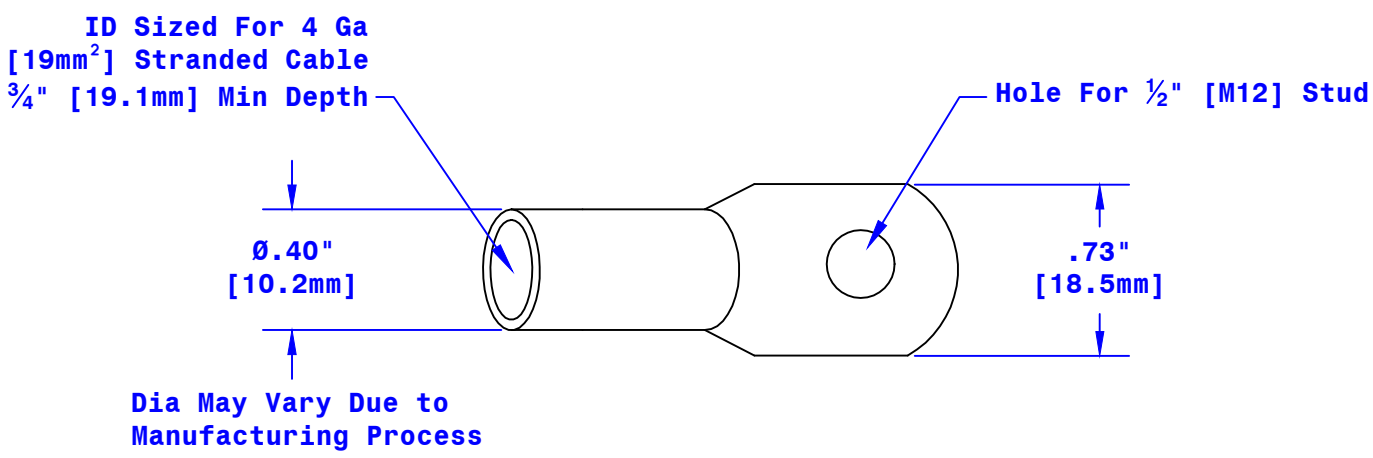


Quick Cable Reserves The Right to Alter Product Types, Their Technical Data, Dimensions, Style And Accessories Without Prior Notification.



Crimp Info Printed  
On This Surface

Property of <b>QUICKCABLE</b> 3700 Quick Drive Franksville, WI 53126 U.S.A. www.quickcable.com	TITLE
	4 Ga. [19mm <sup>2</sup> ] Magna Lug 45° 1/2" [M12] Stud
	PART #
	<b>6404HV</b>

Confidential and Proprietary Information

					Drawn By	Date	Checked By	Scale
					Bill S	08-22-08	Mike E	None
					Tolerances, unless otherwise noted			
					Dimensions are reference only			
Rev	Date	ECN#	By	Description				
A	04-02-12	2459	JMH	Redrawn; printing info updated				

Material & Treatment	Drawing #	REV
Copper Tube Tin Plated	6404HV-Info	A
	Sheet 1 of 1	