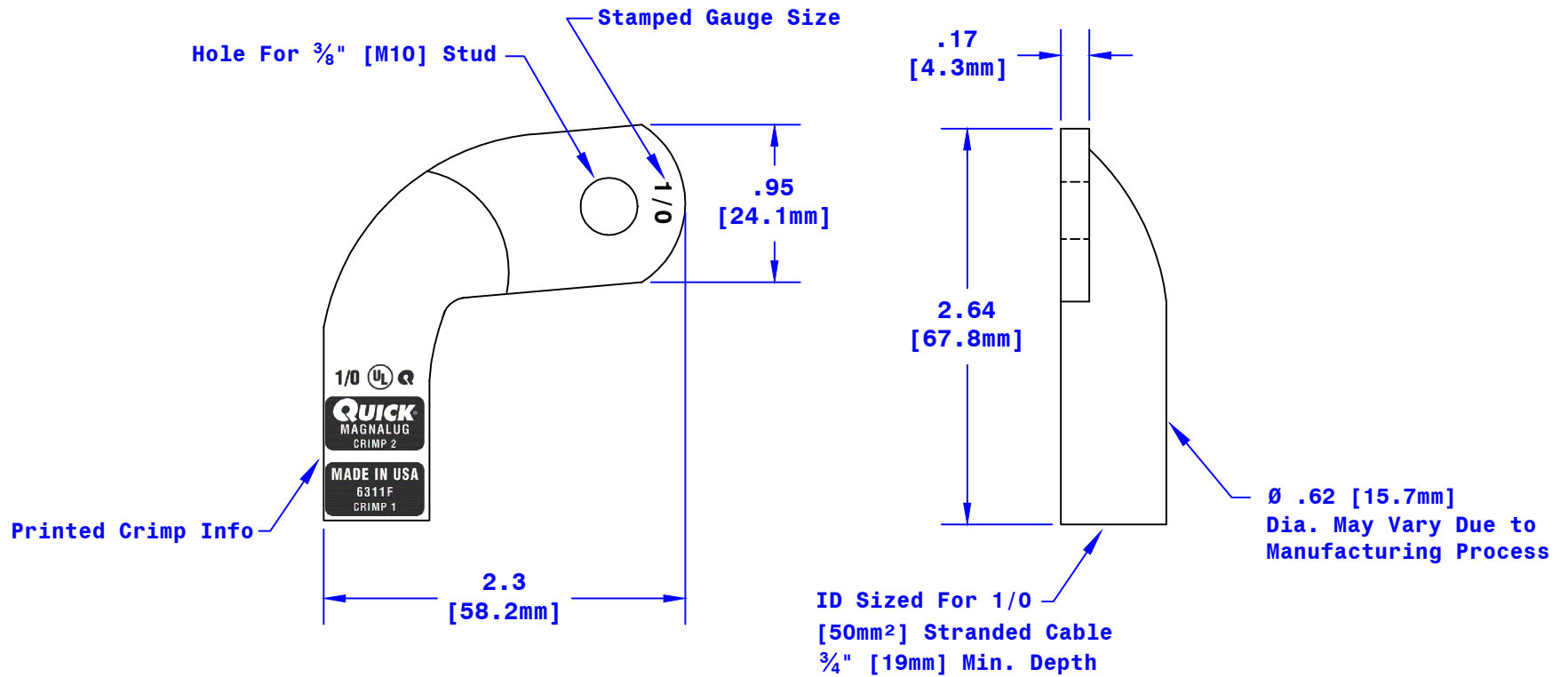


Quick Cable Reserves The Right to Alter Product Types, Their Technical Data, Dimensions, Style And Accessories Without Prior Notification.



Property of <b>QUICKCABLE</b> 3700 Quick Drive Franksville, WI 53126 U.S.A. www.quickcable.com	TITLE <b>Magna Lug,          Right Elbow          1/0 [50mm<sup>2</sup>]</b>
	PART # <b>6311F</b>

Confidential and Proprietary Information

Rev	Date	ECN#	By	Description	Drawn By <b>Jim H</b>	Date <b>04-17-07</b>	Checked By <b>Mike E</b>	Scale <b>None</b>
<b>C</b>	09-24-14	3100	GCV	Match Current Mfg Process	Tolerances, unless otherwise noted			
<b>B</b>	02-21-12	2459	JMH	Redrawn; printing info updated	Dimensions are reference only			

Material & Treatment  
**Copper Tube  
 Tin Plated**

Drawing # <b>6311F-Info</b>	REV <b>C</b>
Sheet <b>1</b> of <b>1</b>	