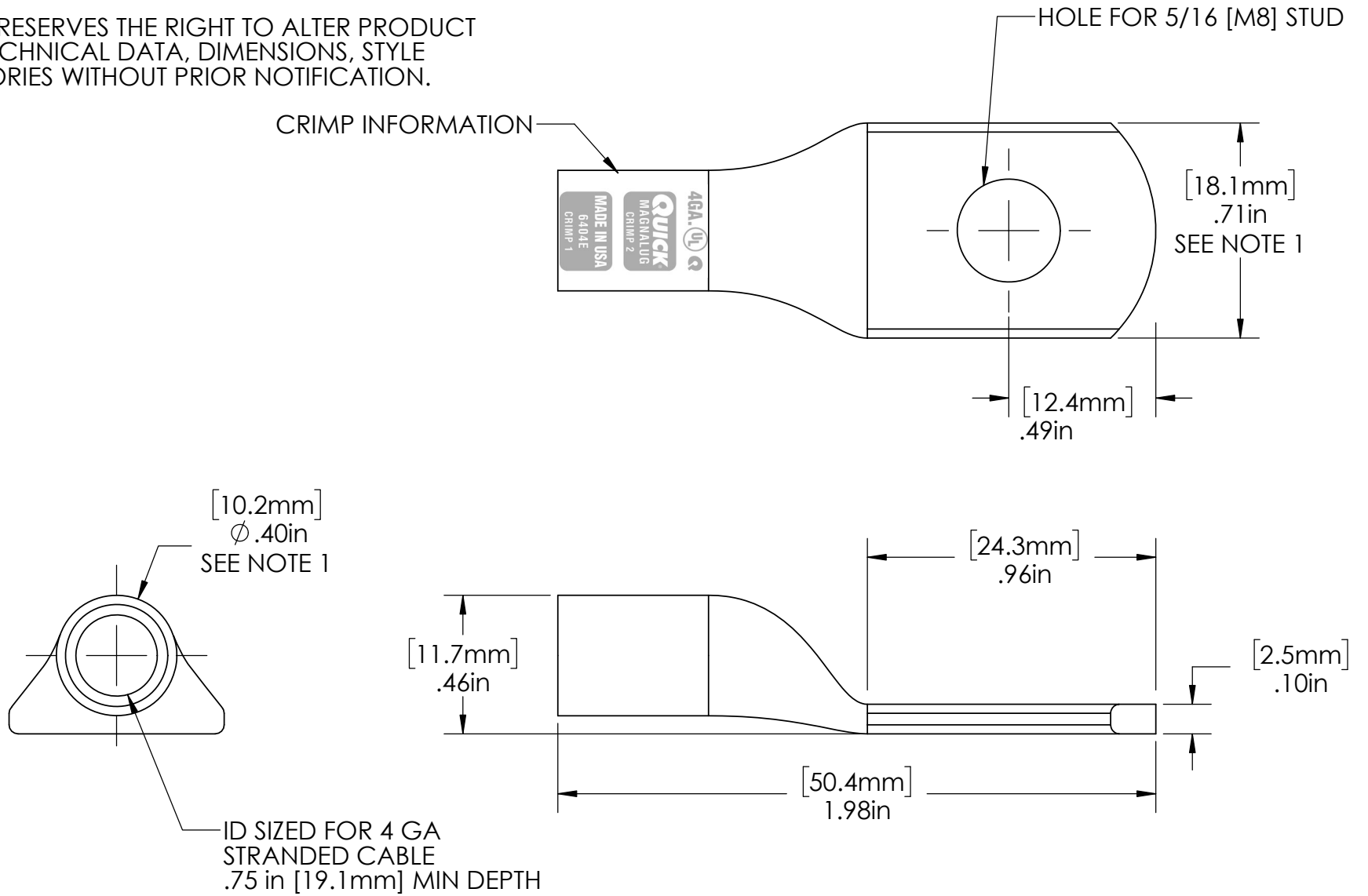


# INFO DRAWING

QUICK CABLE RESERVES THE RIGHT TO ALTER PRODUCT TYPES, THEIR TECHNICAL DATA, DIMENSIONS, STYLE AND ACCESSORIES WITHOUT PRIOR NOTIFICATION.



NOTES:  
1. DIMENSION MAY VARY DUE TO MANUFACTURING PROCESS.

D	4388	RE-DRAWN IN SOLIDWORKS	9/10/20	AMC
-	-	-	-	-
-	-	-	-	-
REV	ECO	DESCRIPTION	DATE	APP

<b>TOLERANCE: UNLESS SPECIFIED:</b> .XXX = +/- .005 .XX = +/- .010 Angles = +/- .5 DEGREE		MATERIAL AND TREATMENT COPPER DHP TIN PLATED PER MS 002.004		<b>FRANKSVILLE, WI 53126 U.S.A.</b> The information contained in this drawing is the sole property of QuickCable, Inc. Any reproduction in part or whole without the written permission of QuickCable, Inc is prohibited.	
ELECTRONIC DRAWING DO NOT SCALE		<b>QuickCable</b>		DRAWN BY: AMC DATE: 9/14/20 CHECKED: JJ	
CUSTOMER:		PO# QUOTE#		TITLE: <b>4 GA. MAGNA LUG</b>	
		DWG: <b>6404&amp;E</b>		REVISION <b>C</b>	
				SHEET <b>2 of 2</b>	